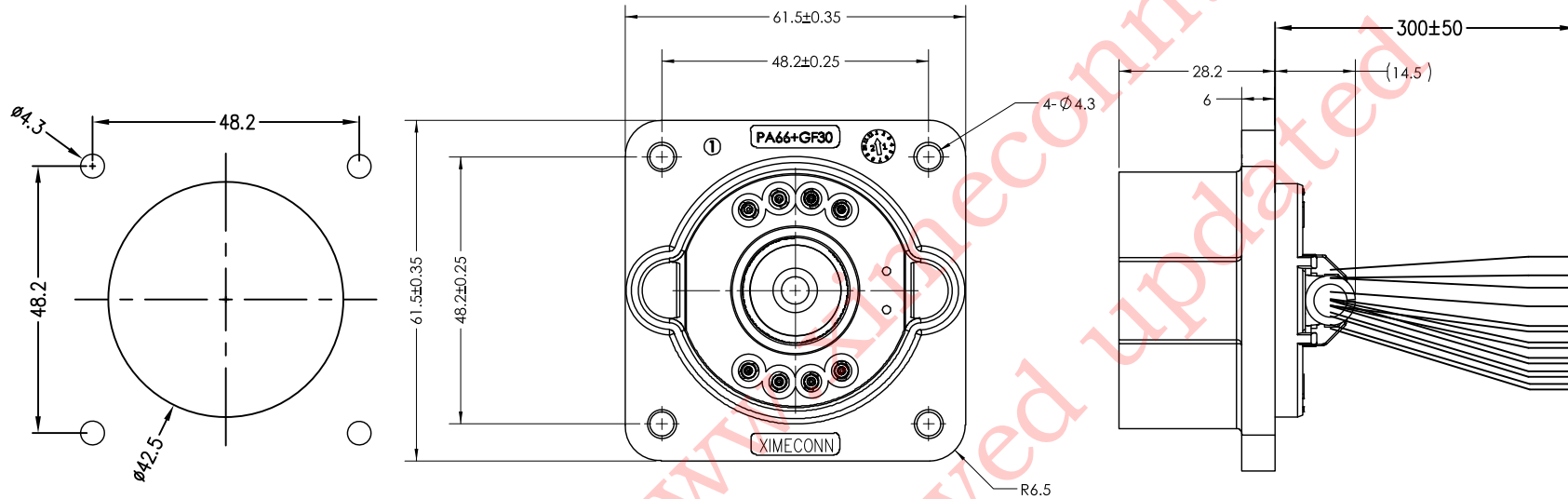


GENERAL TOLERANCE					
DIM. RANGE	≤ 100	>101-500	>501-1000	>1001-3000	> 3001
TOLERANCE	± 5	± 10	± 15	± 20	± 30

REVISIONS		
LTR	DESCRIPTION	DATE
A	INITIAL RELEASE	11/12/20
B	UPDATED TO UL9540A APPROVED	9/12/21



- .--RED POWER
- +.--RED POWER
- 1.--GREEN
- 2.--GREEN
- 3.--GREEN
- 4.--GREEN
- 5.--GREEN
- 6.--GREEN
- 7.--GREEN
- 8.--GREEN

- 1.MATERIAL:
BODY: THERMOPLASTIC,UL94V-0.
CONTACT: COPPER ALLOY.
- 2.SPECIFICATIONS:
 - 2.1 RATED CURRENT: 2pin : POWER 100 AMP, 8pin : SIGNAL 5AMP.
 - 2.2 RATED VOLTAGE: 300V DC/AC.
 - 2.3 OPERATING TEMPERATURE: $-20^{\circ}\text{C} \sim +85^{\circ}\text{C}$.
 - 2.4 RoHS COMPLIANT.
- 3.ALL MATERIALS SHALL BE CERTIFIED COMPLIANT TO THE LATEST RoHS DIRECTIVE.

NOTES:

THIS DOCUMENT CONTAINS PROPRIETARY INFORMATION AND SUCH INFORMATION MAY NOT BE DISCLOSED TO OTHERS FOR ANY PURPOSE OR USED FOR MANUFACTURING PURPOSES WITHOUT WRITTEN PERMISSION FROM THE AMPHENOL CORP.

UNLESS OTHERWISE SPECIFIED
 LINEAR DIMENSIONS ARE IN:
 MILLIMETERS
 TOLERANCES:
 ANGLES= $\pm 2^{\circ}$
 DEFAULT LINEAR TOLERANCES SEE TABLE

 DIM. & TOL. PER ASME Y14.5M-1994;
 DRM PER MIL-DTL-31000;
 OTHER AMPHENOL STANDARDS: 9-9318

SPECIFICATIONS
 MATERIAL SPEC.
 N/A
 PROCESS SPEC.
 N/A

ITEM	QTY	PART NUMBER	DESCRIPTION	NOTE
2	2+8	-	POWER(8AWG)/SIGNAL(22AWG) CONTACT	
1	1	-	PLASTIC BODY	

APPROVALS		DATE	Ximeconn Technology Co., Ltd
PREPARED BY:	Eddie Wang	11/12/20	
RD SUPERVISOR:	Gary Ran		
QA ENGINEER:	Winnie Zhang		
MANUFACTURING:	Tony Huang		

PARTS LIST	
DOCUMENT NO.	PM02005-40A
SCALE:	N/A

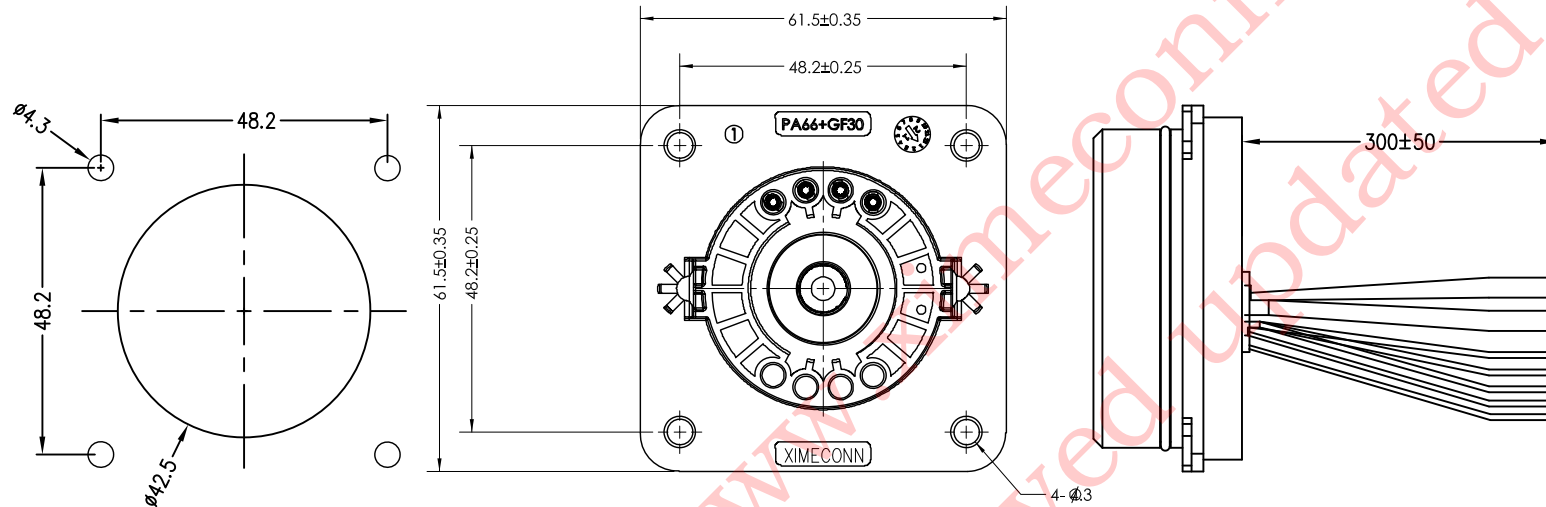
ESS CONNECTOR 2+5 PLUG
 SIZE:6 UL

REV. B
 SHEET 1 OF 1



GENERAL TOLERANCE					
DIM. RANGE	≤ 100	>101-500	>501-1000	>1001-3000	> 3001
TOLERANCE	± 5	± 10	± 15	± 20	± 30

REVISIONS		
LTR	DESCRIPTION	DATE
A	INITIAL RELEASE	11/12/20
B	UPDATED TO UL9540A APPROVED	9/12/21



- BLACK POWER(can use 5pin)
- +---RED POWER
- 1---RED
- 2---BLACK
- 3---WHITE
- 4---BLUE

- 1.MATERIAL:
BODY: THERMOPLASTIC,UL94V-0.
CONTACT: COPPER ALLOY.
- 2.SPECIFICATIONS:
2.1 RATED CURRENT:2pin : POWER 100 AMP, 4+1pin : SIGNAL 5AMP.
2.2 RATED VOLTAGE:300V DC/AC.
2.3 OPERATING TEMPERATURE:-20°C~+85°C.
2.4 RoHS COMPLIANT.
- 3.ALL MATERIALS SHALL BE CERTIFIED COMPLIANT TO THE LATEST RoHS DIRECTIVE.

NOTES:

THIS DOCUMENT CONTAINS PROPRIETARY INFORMATION AND SUCH INFORMATION MAY NOT BE DISCLOSED TO OTHERS FOR ANY PURPOSE OR USED FOR MANUFACTURING PURPOSES WITHOUT WRITTEN PERMISSION FROM THE AMPHENOL CORP.

UNLESS OTHERWISE SPECIFIED
 LINEAR DIMENSIONS ARE IN:
 MILLIMETERS
 TOLERANCES:
 ANGLES= ±2°
 DEFAULT LINEAR TOLERANCES SEE TABLE

 DIM. & TOL. PER ASME Y14.5M-1994;
 DRM PER MIL-DTL-31000;
 OTHER AMPHENOL STANDARDS: 9-9318

SPECIFICATIONS
 MATERIAL SPEC. N/A
 PROCESS SPEC. N/A

ITEM	QTY	PART NUMBER	DESCRIPTION	NOTE
3	1		ORING	
2	2+5	-	POWER(10AWG)/SIGNAL(22AWG) CONTACT	
1	1	-	PLASTIC BODY	

APPROVALS		DATE	PARTS LIST	
PREPARED BY:	Eddie Wang	11/12/20	Ximeconn Technology Co., Ltd	
RD SUPERVISOR:	Gary Ran		ESS CONNECTOR 2+5 SOCKET SIZE:6 UL	
QA ENGINEER:	Winnie Zhang			
MANUFACTURING:	Tony Huang			
THIRD ANGLE PROJECTION			DOCUMENT NO.	REV.
			PF02005-40A	B
			SCALE: N/A	SHEET 1 OF 1

